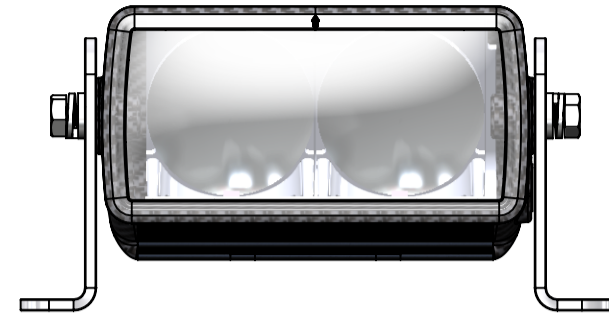
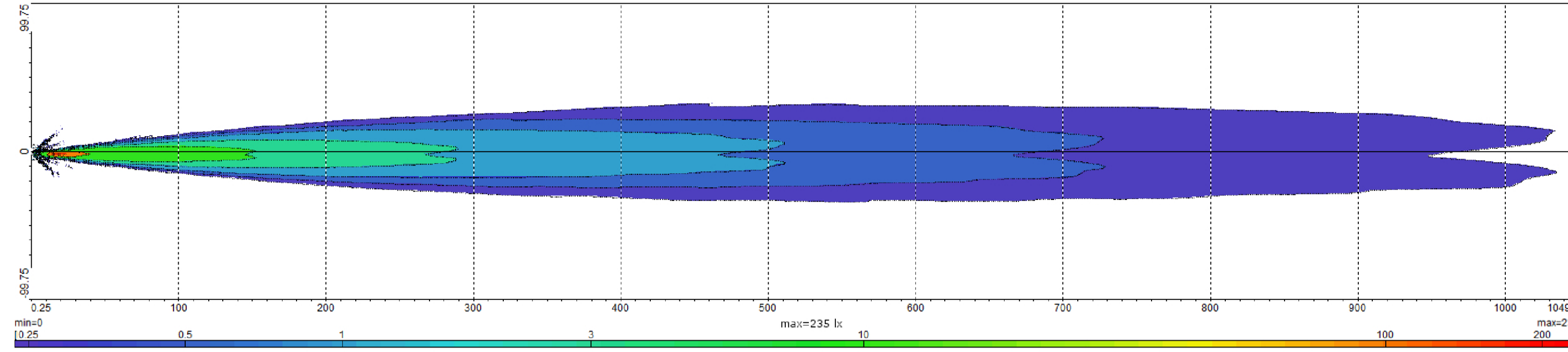


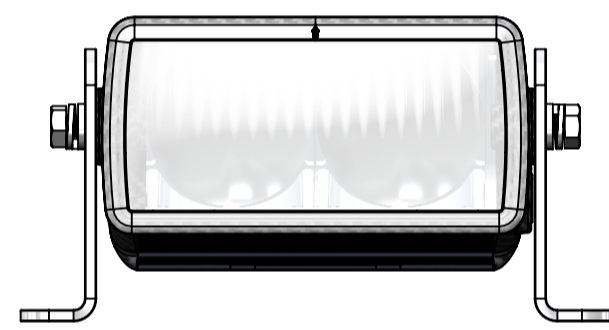
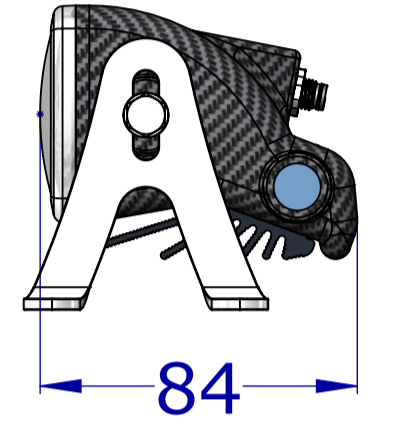
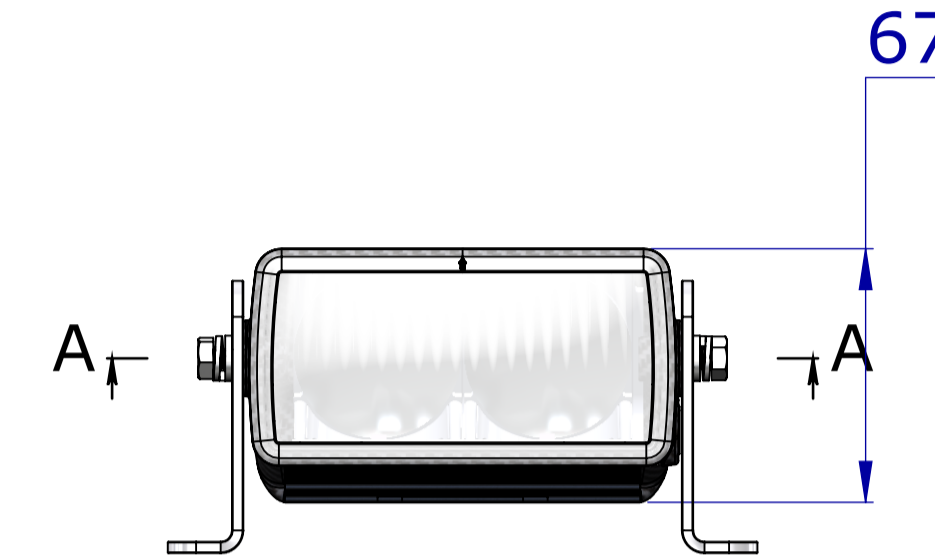
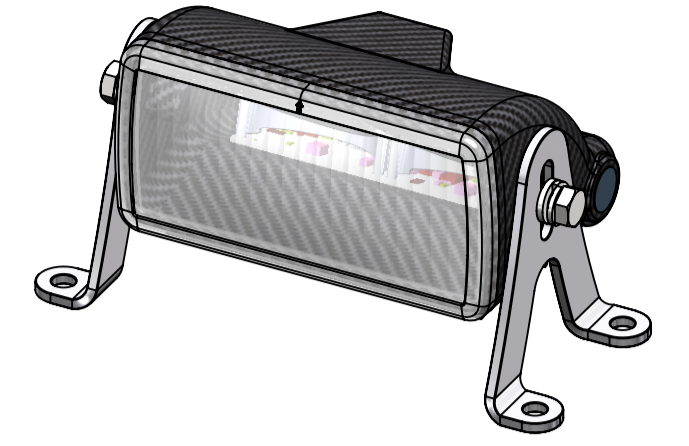
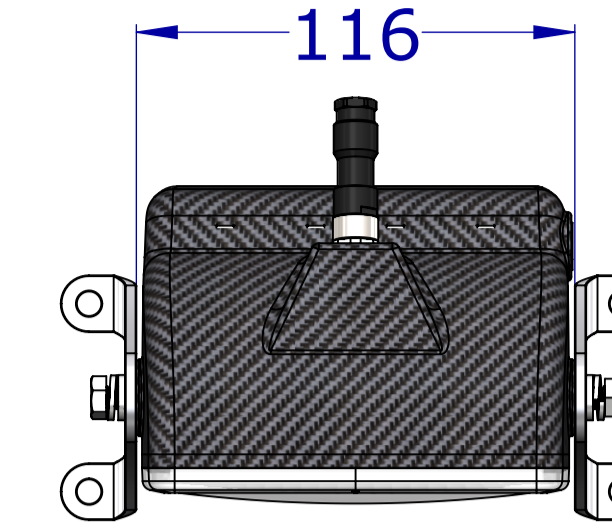
DRAWING REVISION INFORMATION					
ZONE	REV.	CHANGE No.	DESCRIPTION	DATE	APPROVED
	1	N/A	INITIAL RELEASE	21-02-17	B. R-SMITH



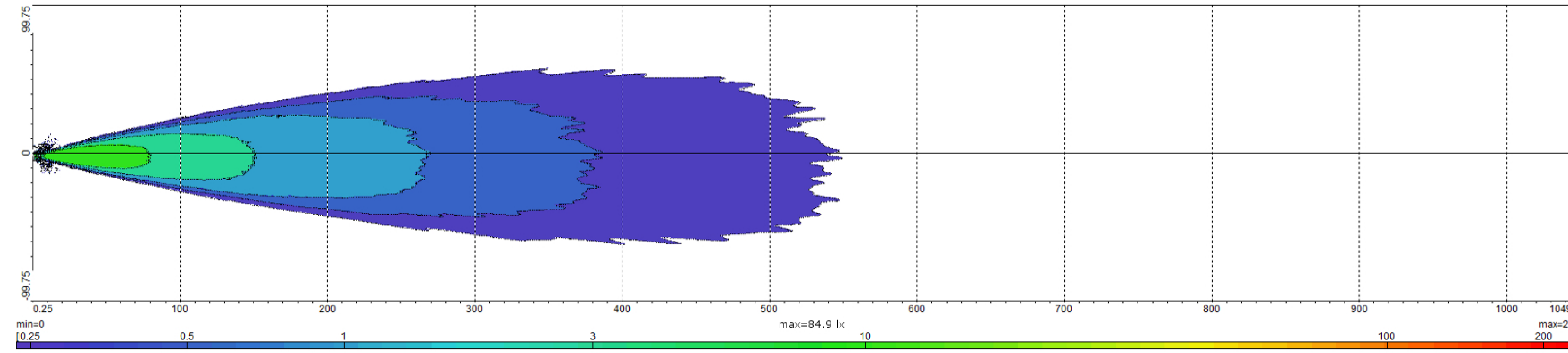
CARBON-2 SPOT



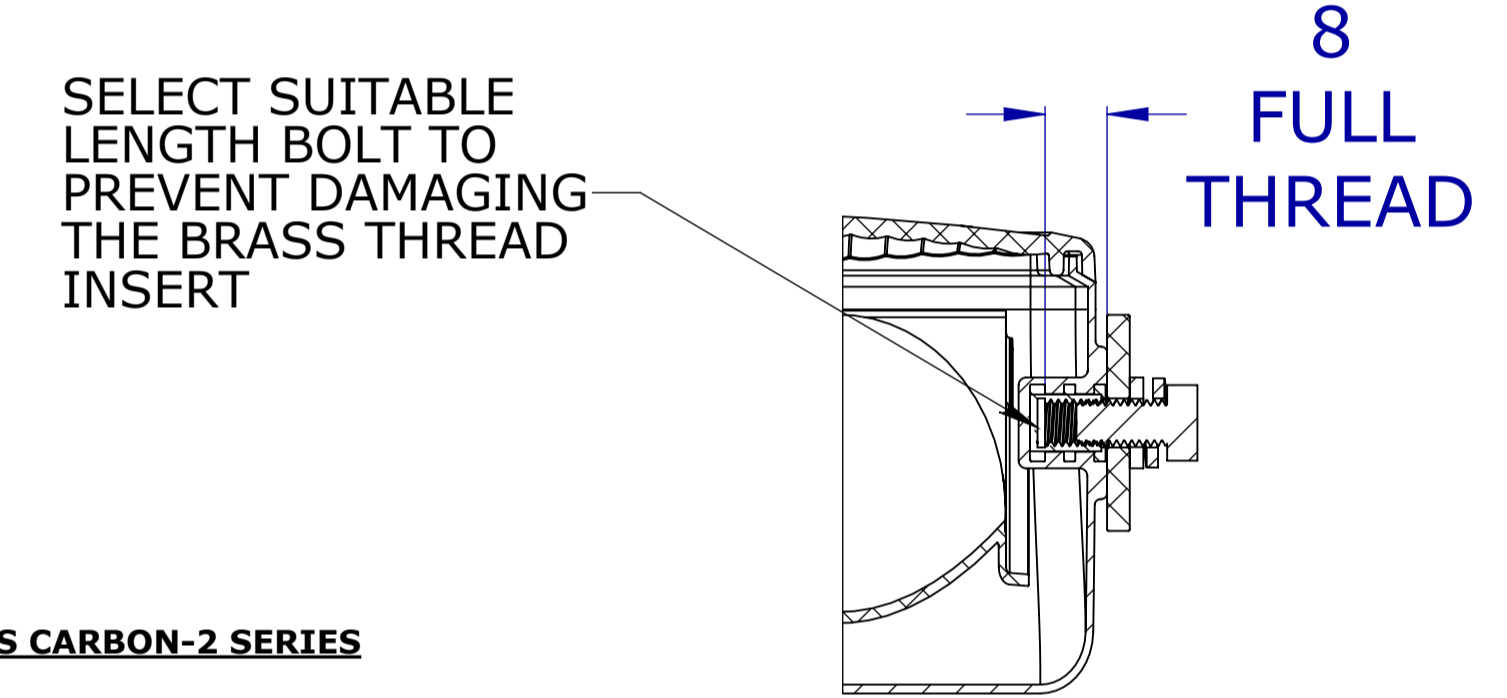
0.25 LUX LINE @ 933M
 0.50 LUX LINE @ 660M
 1.00 LUX LINE @ 466M
 3.00 LUX LINE @ 269M



CARBON-2 REEDED (HORIZONTAL)



0.25 LUX LINE @ 539M
 0.50 LUX LINE @ 382M
 1.00 LUX LINE @ 267M
 3.00 LUX LINE @ 150M



SECTION A-A
 SCALE 1 : 1

LAZER LAMPS CARBON-2 SERIES

MATERIALS

- CARBON FIBRE HOUSING
- OPTICAL GRADE PMMA LENS
- ALUMINIUM HEATSINK
- ALUMINIUM BRACKETS
- STAINLESS STEEL FASTENERS

WEIGHT

- CARBON 2 LIGHT ASY = 0.170KG
- LH & RH MOUNTING BRACKETS = 0.018KG EACH (AS SHOWN)
- FASTENERS TOTAL WEIGHT = 0.014KG PER UNIT
- TOTAL WEIGHT CARBON 2 ASY WEIGHT = 0.220KG

PHOTOMETRIC PERFORMANCE

- 2255 LUMENS
- LED LIFE 50K HRS
- OPTICAL EFFICIENCY 96%
- HIGH INTENSITY LED'S

POWER CONSUMPTION/INFORMATION

- 22W

ELECTRICAL CONNECTOR

- SUPPLIED STANDARD WITH BINDER CONNECTOR
- CUSTOM CONNECTOR OPTIONS CAN BE ENGINEERED AT REQUEST

VOLTAGE REQUIREMENTS

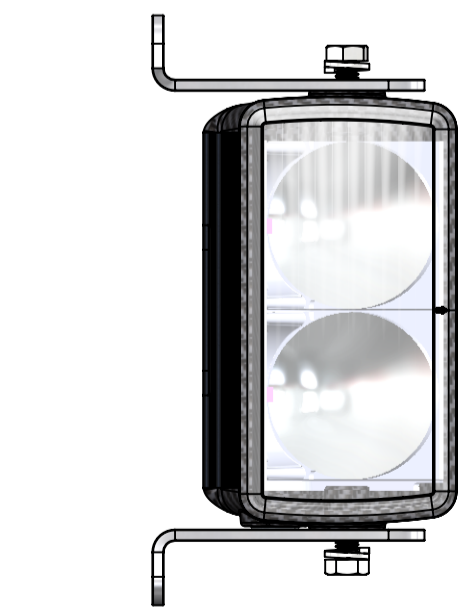
- VOLTAGE RANGE 9-32V

THERMAL CONTROL

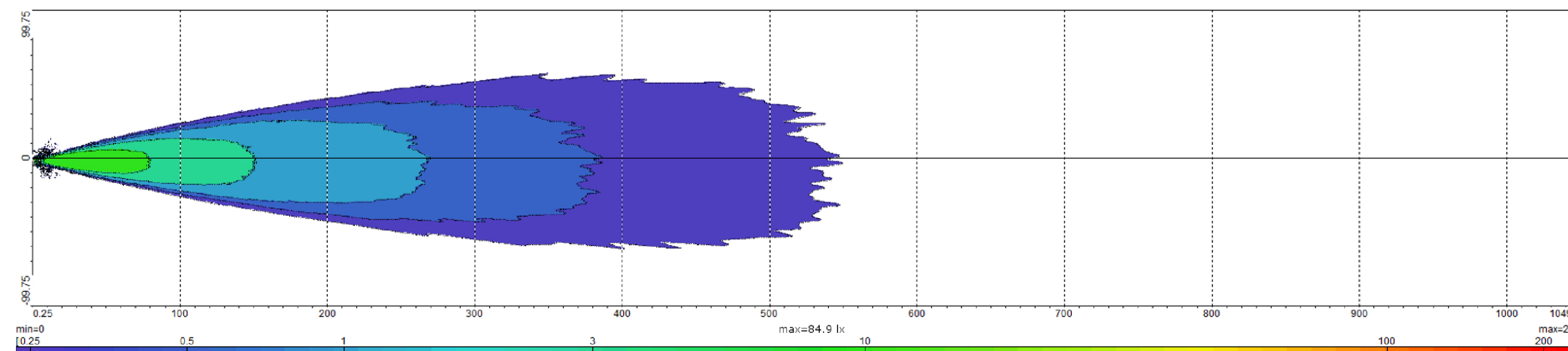
- DYNAMIC DRIVE CURRENT MODULATION TO OPTIMISE LIGHT OUTPUT CONSIDERING ENVIRONMENTAL CONDITIONS

PACKAGING REQUIREMENTS

- 2MM AIR GAP ALL ROUND
- THROUGH AIR FLOW REQUIRED (2M/S MIN RECOMMENDED)



CARBON-2 REEDED (VERTICAL)



0.25 LUX LINE @ 539M
 0.50 LUX LINE @ 382M
 1.00 LUX LINE @ 267M
 3.00 LUX LINE @ 150M

PRODUCT GROUP:	CARBON SERIES	LAZER	NAME	DATE	PROJECT:	CARBON SERIES
PROCESS:		2 PAGES OLD MILL, TAMWORTH RD, HERTFORD, SG13 7DG TEL: 01992 677071 WWW.LAZERLAMPS.COM	DRAWN BY	G. BAILLEY	21-02-17	DESCRIPTION:
UNLESS STATED OTHERWISE ALL TOLERANCES TO BE:		PROPRIETARY & CONFIDENTIAL	CHECKED BY	G. BAILLEY	21-02-17	CARBON-2
ANGLES		THE INFORMATION CONTAINED IN THIS DRAWING IS THE SOLE PROPERTY OF LAZER LAMPS LTD. ANY REPRODUCTION IN PART OR AS A WHOLE WITHOUT THE WRITTEN PERMISSION OF LAZER LAMPS LTD IS PROHIBITED	APPROVED BY	B. R-SMITH	21-02-17	DRAWING NO.
DECIMALS						REV
THIRD ANGLE PROJECTION						1
MATERIAL:						SHEET SIZE
FINISH:						A1
						SCALE
						1:2
						SHEET
						1 OF 1